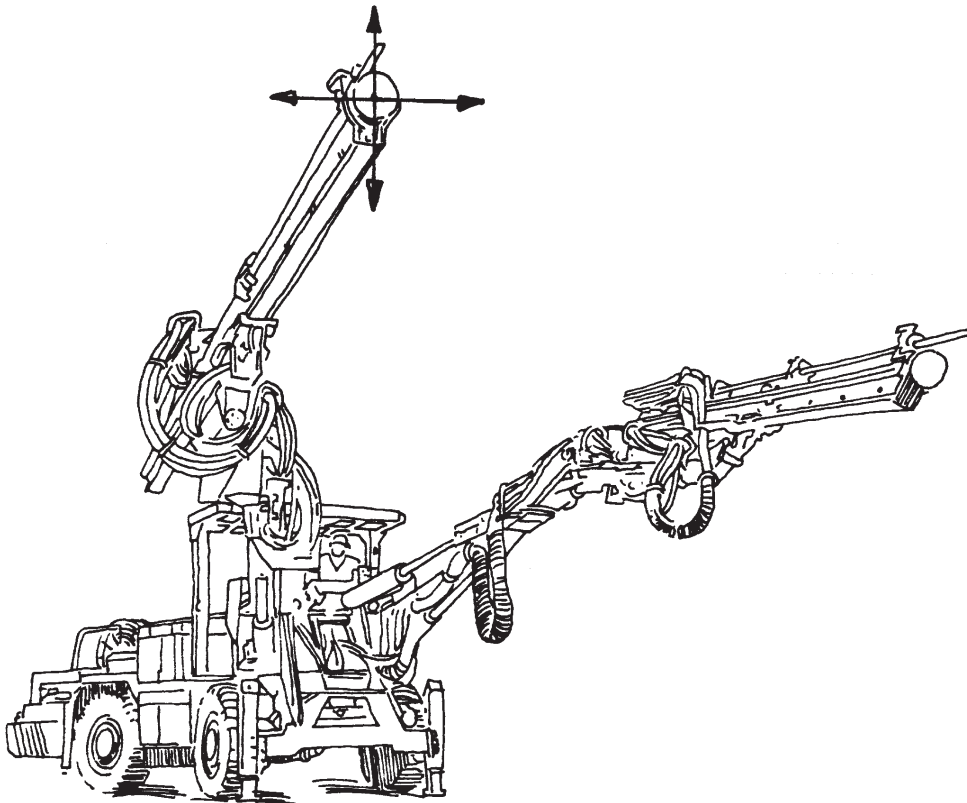


# INKLINATOR <sup>®</sup>

## CMI Tunneling



Total instrument for face drilling rigs.

The system is built in modules that can be selected depending on the specific need.

The modules: -Angle instrument vertical

-Angle instrument vertical and horizontal

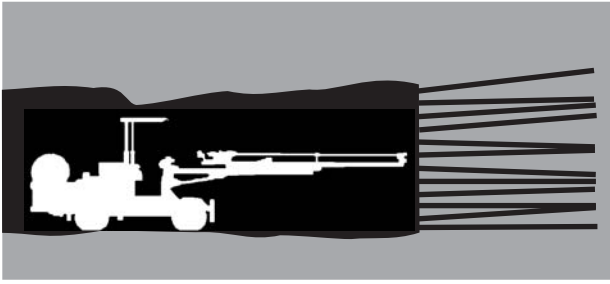
-Sight for horizontal zero-direction

-Length measurement



TRANSTRONIC

## Do you make tunnel like this ?.... Or do you use angle instruments ?



Bad control over hole angles gives:

- Poor tunnel profile
- Higher consumption of explosives
- Longer drilling times
- High drill meters/m<sup>3</sup>



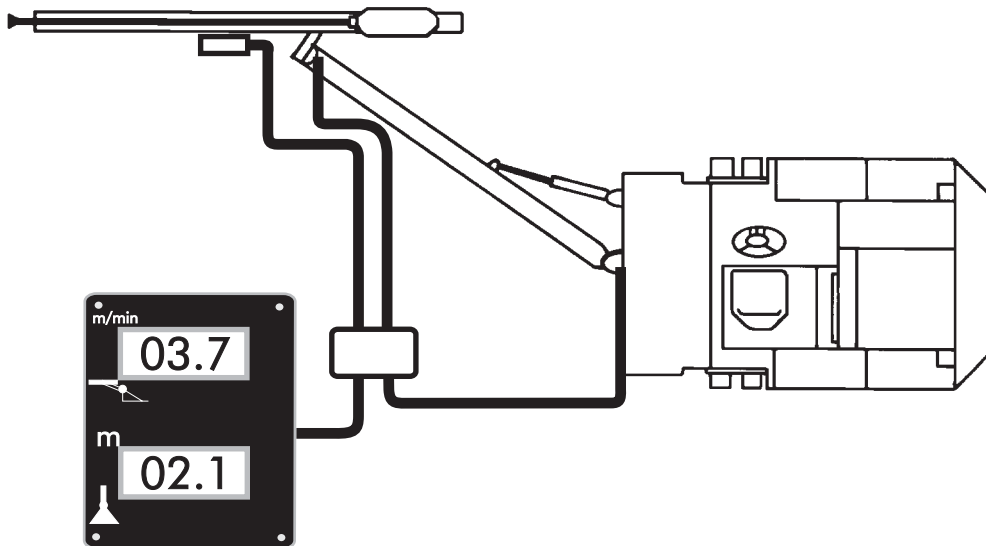
Using an angle instrument gives:

- + Smoother surface
- + Lower consumption of explosives
- + Less Overbreak
- + Increased safety

Inklinator type CMI Tunneling is a modern angle instrument built with the latest CAN technology. The system is easy to mount and setup on any type of tunnelling rig.

All calibration and zero setting is made electrically. No need for adjusting transducers etc mechanically. The system has a built-in trouble shooting diagnostic function.

The system is built with modules.



The instrument gives the operator good information about current drill angles.

Angles can also be preset which gives fast and accurate angle information.

---

Specification	
Measuring range vertical	+ - 30 degrees
horizontal	+ - 30 degrees
Measure resolution	0,2 - 0,3 degrees
Power Supply	12 - 33 V DC
Enclosure	IP 65, splash-proof
Working temperature	0 - 50 degrees C



TRANSTRONIC